

Dimoco Manufacturing Company Inc

➤ **DI-ACRO** ®

➤ **STRIPPIT** ®

➤ **LVD** ®

➤ **Also Replacement
Workholder Parts for:**

Amada ®

FinnPower ®

Nisshinbo ®

Wiedemann ®

Murata ®

Hours: Monday thru Wednesday

8 am to 2:30 pm CST

All above machines are registered trademarks
of their respective corporations

Di-Acro / Strippit / LVD
Catalog

- Di-Acro VT-36
- MH1DCO
- QCT-20 , Cap1000 > Di-Acro / Strippit
- MH2DCO
- Strippit FC750 , FC1000 , FC1000 II & III
- MH2SCO
- Strippit FC1250 , P/N 101377-000
- MH4SCO
- Strippit FC1250 , FC1500 P/N 101986
- MH4SCO-W
- Strippit FC1250S , FC1000S , FC1000H
- MH6SCO
- Strippit / LVD 1000R , 1000XP , 1250R
- MH2DCO-R

All major credit cards
accepted

Prices subject to change
without notice

Email Order@Dimoco.net Call 800/888.524.3020 or
Fax 816.524.3454 for parts not on Dimoco.net



Dear Valued Customer:

Dimoco Manufacturing Company was founded in 1968 with the sole purpose of providing you with another source of obtaining both quality and reasonably priced replacement parts for your equipment. Since that time we have been committed to serving our growing customer base with high quality, low-cost replacement workholder clamps and clamp part accessories for the Amada, Wiedemann, Strippit, Finn-Power, DiAcro and Behrens NC Punch Presses.

All of our parts are manufactured in our plant, which is located in the heart of the Midwest. Because we do make and stock all of our parts, we are able to ship your orders usually the same day it is received. As always, the customer's needs dictate our inventories. This is the very reason that we are constantly expanding our product lines and improving our product. If you are not able to locate an item in our catalog, do not hesitate to inquire of the availability.

With these parts we offer you a way to prolong the life of your equipment, without having to pay such high prices for replacement parts. Proper maintenance coupled with correct timing is a combination needed to secure longevity of your equipment.

To speak to our friendly sales and customer service staff, call TOLL-FREE 800.524.3020. Also you may visit us at: www.Dimoco.net.

TERMS & CONDITIONS

CREDIT TERMS

1. We accept Credit Cards , Mastercard , Visa , Amx , and Also Paypoll
2. We can also send a Paypoll Invoice for advance payment to avoid COD charges
3. Paypoll Invoices do require your Email or we can also ship COD

ORDERS FROM CATALOG

All orders or information needed from our catalogs (parts not listed in our store on WWW.Dimoco.net) , can be placed by Email to Order@Dimoco.net or by Phone 800/888.524.3020 and also can be faxed to 816.524.3454 .

DMC HOURS

Phone availability Monday thru Wednesday 8:00 to 2:30 pm Central Time , Email return hours , fax return hours , shipping hours on orders are Monday thru Wednesday , any rush orders must be ordered 24 hours prior to shipment .

RETURN POLICY

We accept unused parts for return within 30 days . We do not credit back freight charges . All parts returned for credit must be returned freight prepaid . Parts must be in a resellable condition and free from dents and damage to the black oxide . **Return parts to: DIMOCO MFG Attn Returns , 10 Southwest Industrial Drive, Lee's Summit, MO 64081.**

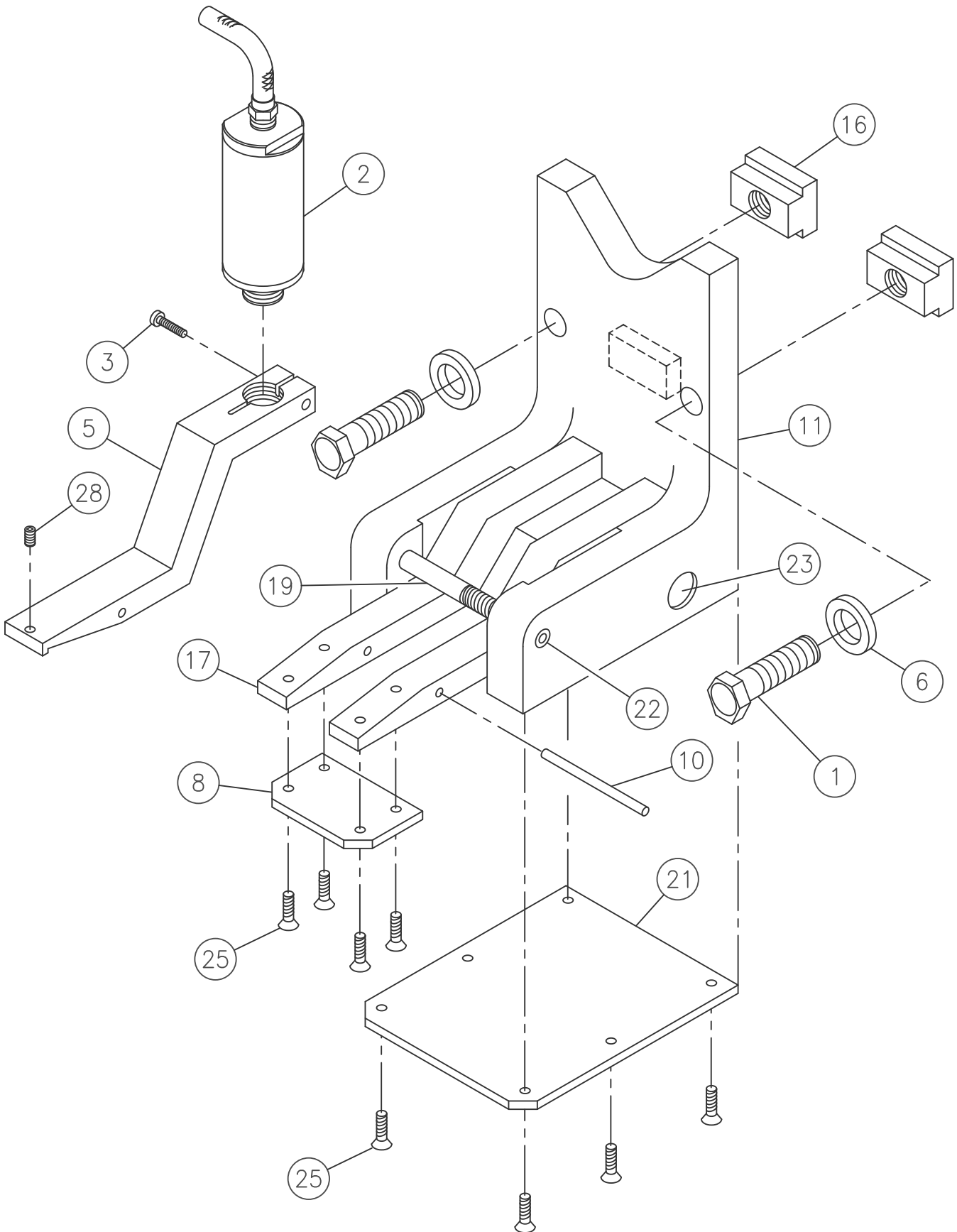
PRICES

Prices are subject to change without advance notification. All shipments will be invoiced at prices prevailing on the date of shipment or at prices quoted less then 30 days prior to shipment .

GUARANTEE

We guarantee all of our products against defects in material and workmanship under normal use and service. Any defect in material or workmanship will be corrected by repair or replacement of product FOB our plant.

MH1DC0 – COMPONENT PARTS VT-36



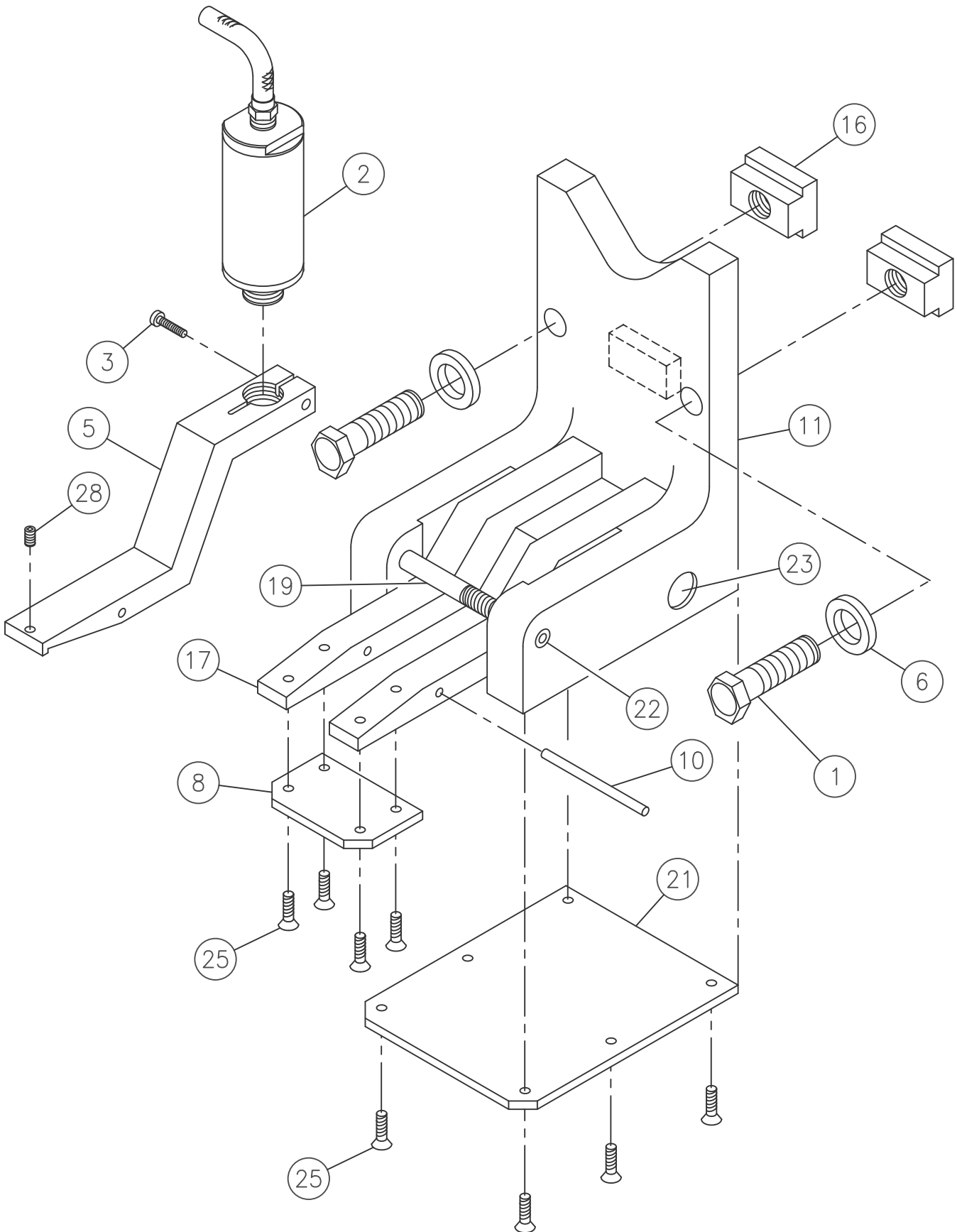
MH1DCO
Component Parts
VT-36

Dwg No.	DMC Part No.	Description	Price
00	MH1DCO	Complete Assembly	
00	MH1DJA	Jaw Pack (Incl. #5,8,10,17)	
01	MHSCS1248	Screw, AH Pkg of 10	
02	MH1DCP-02	Air Cylinder	
03	MHSCS0620F	Screw, AH Pkg of 10	
04	MH4BCP-38	Air Hose Assembly	
05	MH1DUJ	Clamper (Upper Jaw)	
06	MHWSH13	Washer Hardened One Only	
08	MH1DLJ	Clamp Plate (Lower Jaw)	
10	MH2DCP-10	Dowel Pin	
11	MH2DCP-11	Holder Mount	
16	MH3DCP-12	Tee Nut	
17	MH1DPA	Body (Pivot Arm)	
19	MHSCS0889	Screw, SH One Only	
21	MH1DCP-21	Actuator Plate	
22	MHSSS0808	SS Screw, Pkg of 10	
23	MHDOW1256	Dowel Pin	
25	MHSFS0512	Screw, FH Pkg of 10	
28	MHSSS0606F	Screw, SS Pkg of 10	

DIMOCO MANUFACTURING COMPANY INC

To place an order call toll-free 800.524.3020 or fax 816.524.3454 or www.Dimoco.net

MH2DC0 – COMPONENT PARTS
QCT-20, CAP 1000

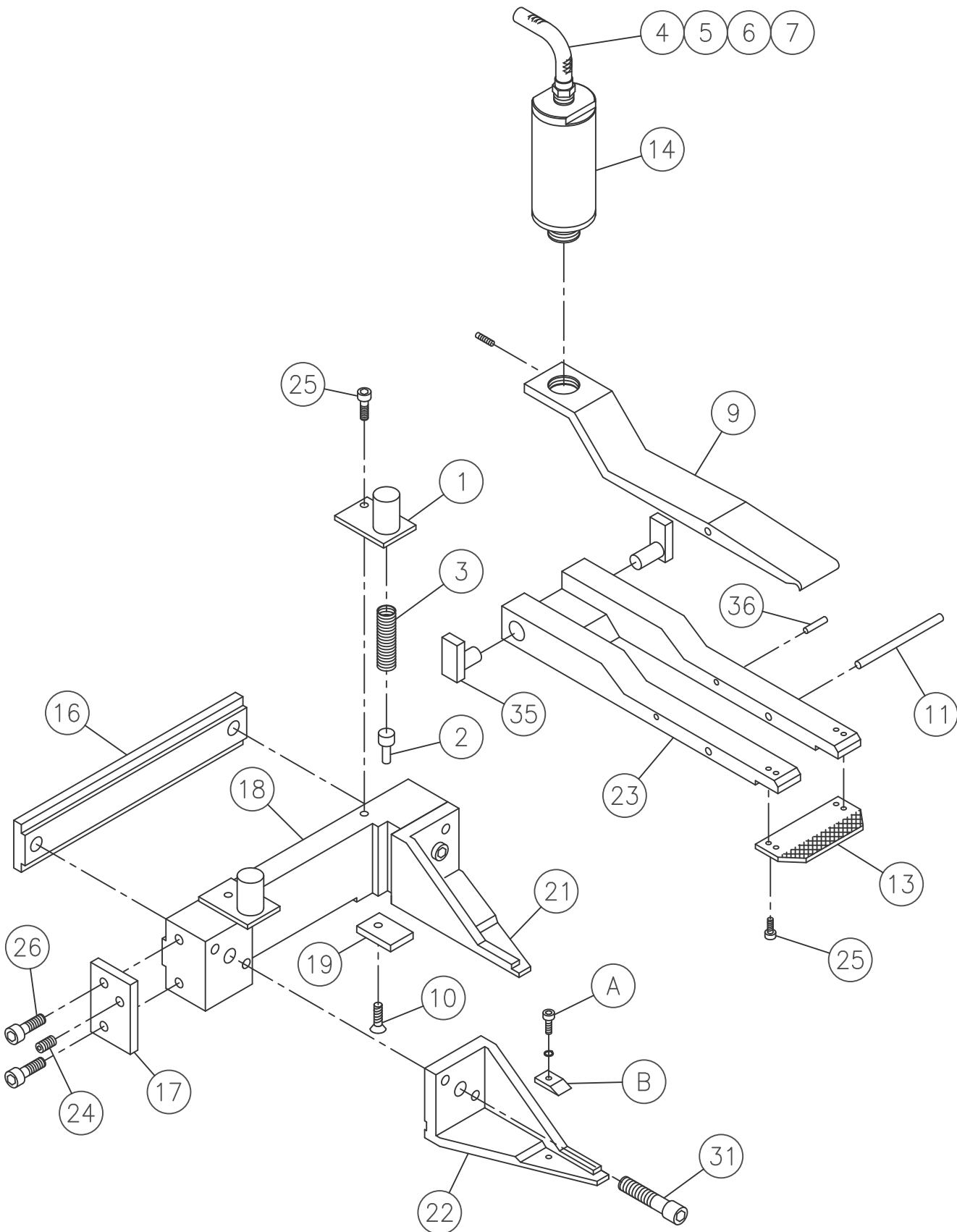


MH2DCO
Component Parts
QCT-20 * CAP1000 (Strippit)

Dwg No.	DMC Part No.	Description	Price
00	MH2DCO	Complete Assembly	
00	MH2DJA	Jaw Pack (Incl. #05,08,10,17)	
01	MHSCS1248	Screw, AH Pkg of 10	
02	MH2DCP-02	Air Cylinder	
04	MH4BCP-38	Air Hose Assembly	
05	MH2DUJ	Clamper (Upper Jaw)	
06	MHWSH13	Washer Hardened One Only	
08	MH2DLJ	Clamp Plate (Lower Jaw)	
10	MH2DCP-10	Dowel Pin	
11	MH2DCP-11	Holder Mount	
16	MH3DCP-12	Tee Nut	
17	MH2DPA	Body (Pivot Arm)also fits early OEM comp units	
19	MHSCS0889	Screw , SH One Only	
21	MH2DCP-21	Actuator Plate	
22	MHSSS0808	Screw, SS Pkg of 10	
23	MHDOW1256	Dowel Pin One Only	
25	MHSFS0512	Screw, FH Pkg of 10	
28	MHSSS0606F	Screw, SS Pkg of 10	

MH2SCO – COMPONENT PARTS

FC-750, FC-1000



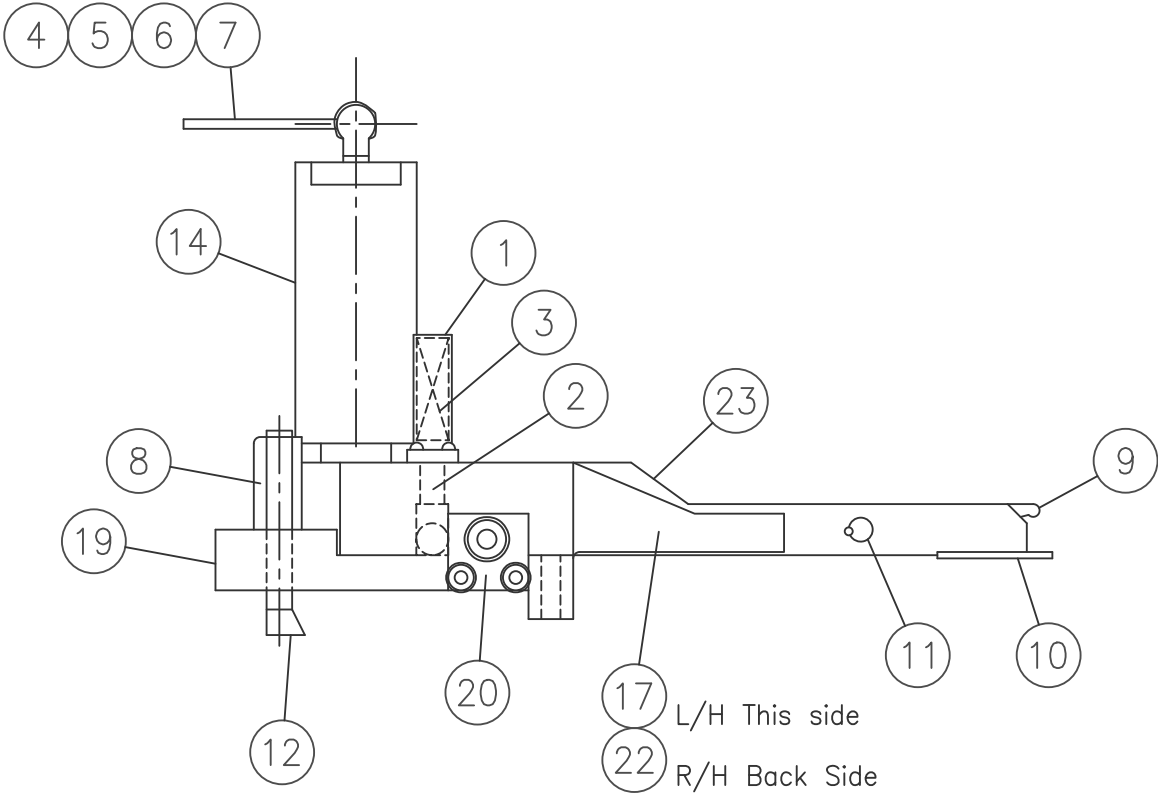
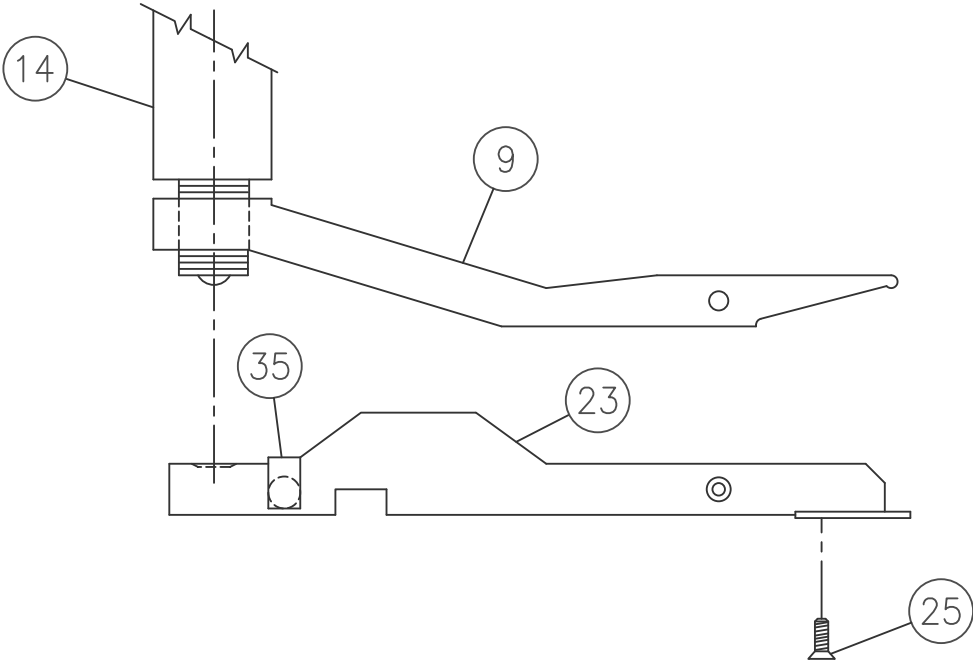
MH2SCO
Component Parts
FC750 * FC1000 * FC1000 III

Dwg No.	DMC Part No.	Description	Price
00	MH2SCO	Complete Assembly	
00	MH2SJA	Jaw Pack (Incl. #09,11,13,23)	
00	MH2SJA-C	Jaw Pack/2SLJ-C (Incl. #09,11,13,23)	
00	MH2SJA-K	Jaw Pack/2SUJ-K (Incl. #09,11,13,23)	
01	MH4SCP-01	Spring Well	
02	MH2ACP-05	Guide Pin	
03	MH4SCP-04	Spring	
04	MH6MCP-38	Hose Assembly	
04	MH6MCP-38A	Elbow	
05	MH6MCP-38B	Flexible Tubing	
06	MH6MCP-38C	Male Nipple	
07	MH6MCP-38D	Coupler Assembly	
09	MH2SUJ	Upper Jaw (Carbide Style)	
09	MH2SUJ-K	Upper Jaw (Knife Edge Style)	
10	MHSFS0612F	Screw, FH Pkg of 10	
11	MH2SCP-27	Dowel	
13	MH2SLJ	Lower Jaw (Knurl Style)	
13	MH2SLJ-C	Lower Jaw (Carbide Style)	
13	MH2SLJ-H	Lower Jaw	
14	MH4SCP-29	Air Cylinder	
16	MH2SCP-08	Clamp Bar	
17	MH2SCP-13	Adjustment Assembly	
18	MH2SCP-19	Support	
19	MH2SCP-20	Pivot Stop Plate	
21	MH2SCP-22	R/H Guide Arm	
22	MH2SCP-17	L/H Guide Arm	
23	MH2SPA	Clamp Body	
24	MHSSS1024	Screw, SS Pkg of 10	
25	MHSFS0516	Screw, FH Pkg of 10	
26	MHSCS0624F	Screw, AH Pkg of 10	
31	MHSCS1056	Screw, AH Pkg of 10	
35	MH4SCP-35W	Pivot Pin	
36	MH2SCP-36	Pin, RP Pkg of 10	

DIMOCO MANUFACTURING COMPANY INC

To place an order call toll-free 800.524.3020 or fax 816.524.3454 or www.Dimoco.net

MH4SCO – COMPONENT PART
FC-1250, P/N 101377-000



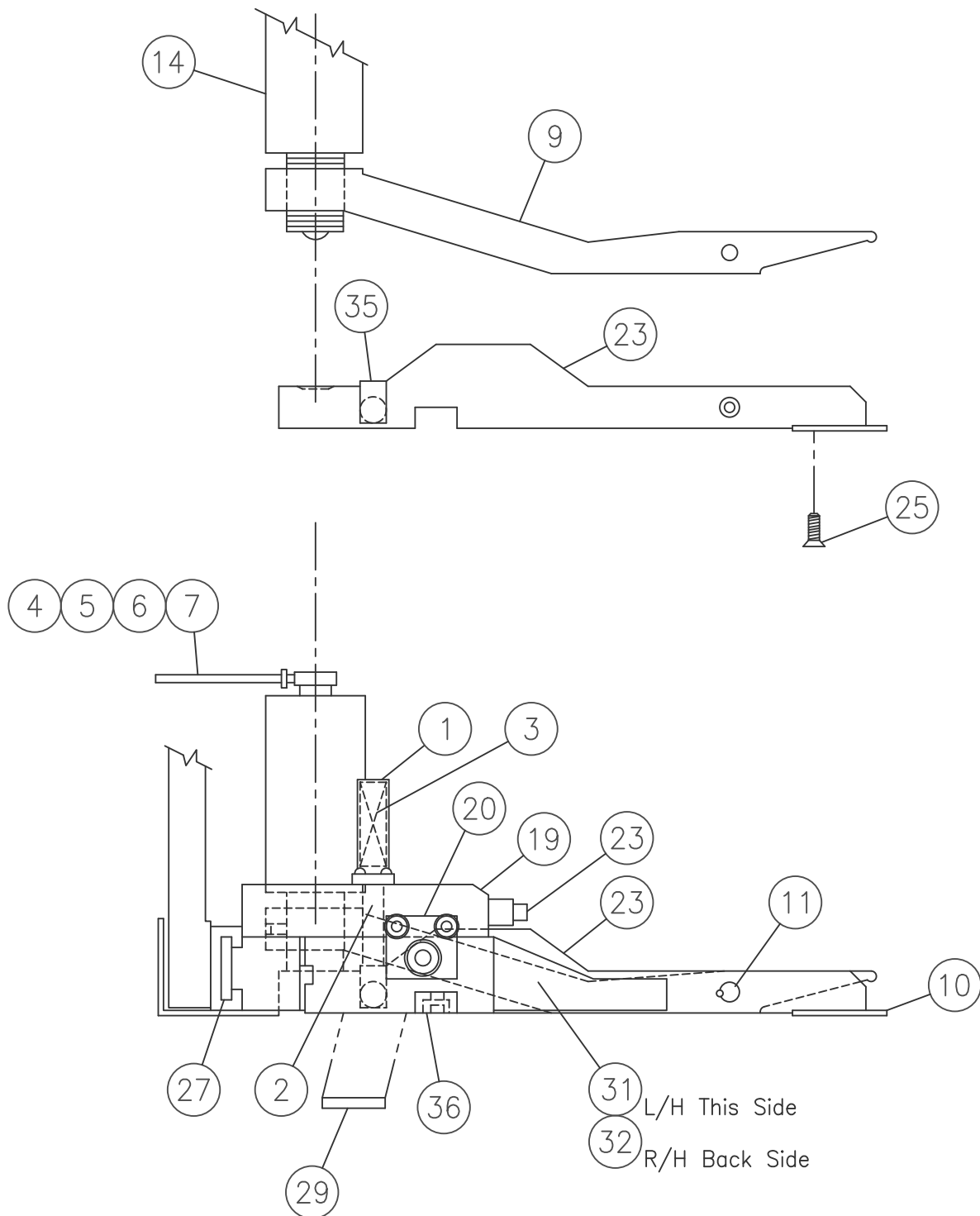
MH4SCO
Component Parts
FC1250 – P/N 101377-000

Dwg No.	DMC Part No.	Description	Price
00	MH4SCO	No Longer Sold	
00	MH4SJA	Jaw Pack (Incl. #09,10,11,23)	
00	MH4SJA-C	Jaw Pack/4SLJ-C (Incl. #09,10,11,23)	
00	MH4SJA-K	Jaw Pack/4SUJ-K (Incl. #09,10,11,23)	
01	MH4SCP-01	Spring Well No Longer Available	
02	MH2ACP-05	Guide Pin No Longer Available	
03	MH4SCP-04	Spring No Longer Available	
04	MH6MCP-38	Hose Assembly	
04	MH6MCP-38A	Elbow	
05	MH6MCP-38B	Flexible Tubing	
06	MH6MCP-38C	Male Nipple	
07	MH6MCP-38D	Coupler Assembly	
08	MH4SCP-08	Nut No Longer Available	
09	MH4SUJ	Upper Jaw (Carbide Style)	
09	MH4SUJ-K	Upper Jaw (Knife Edge Style) No Longer Available	
10	MH4SLJ	Lower Jaw (Knurl Style)	
10	MH4SLJ-C	Lower Jaw (Carbide Style)	
10	MH4SLJ-H	Heavy Duty Lower Jaw	
11	MH4SCP-27	Eccentric Pin Kit	
12	MH4SCP-18	Bolt No Longer Available	
14	MH4SCP-29	Air Cylinder	
17	MH4SCP-17	No Longer Sold	
19	MH4SCP-19	No Longer Sold	
20	MH4SCP-13	Adjustment Assembly No Longer Available	
22	MH4SCP-22	No Longer Sold	
23	MH4SPA	Clamp Body	
25	MHSFS0516	Screw, FH Pkg of 10	
35	MH4SCP-35	Pivot Pin	

DIMOCO MANUFACTURING COMPANY INC
 To place an order call toll-free 800.524.3020 or fax 816.524.3454 or www.Dimoco.net

MH4SCO-W – COMPONENT PARTS

FC-1250, FC-1500, P/N 101986



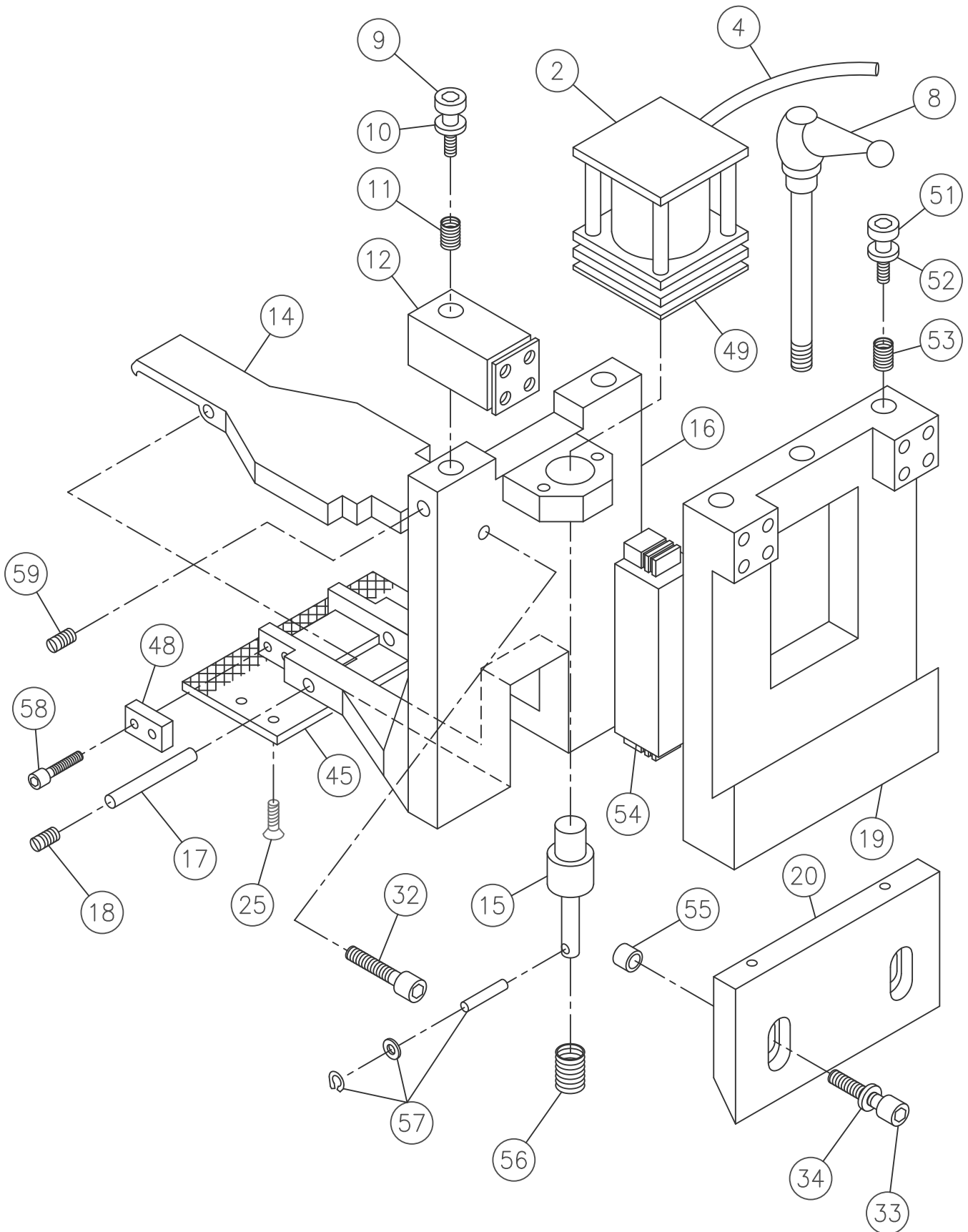
MH4SCO-W
Component Parts
FC1250 * FC1500 * P/N 101986

Dwg No.	DMC Part No.	Description	Price
00	MH4SCO-W	No Longer Sold	
00	MH4SJA	Jaw Pack (Incl. #09,10,11,23)	
00	MH4SJA-C	Jaw Pack/4SLJ-C (Incl. #09,10,11,23)	
00	MH4SJA-K	Jaw Pack/4SUJ-K (Incl. #09,10,11,23)	
01	MH4SCP-01	Spring Well No Longer Available	
02	MH4SCP-05	Guide Pin No Longer Available	
03	MH4SCP-04	Spring No Longer Available	
04	MH6MCP-38	Hose Assembly	
04	MH6MCP-38A	Elbow	
05	MH6MCP-38B	Flexible Tubing	
06	MH6MCP-38C	Male Nipple	
07	MH6MCP-38D	Coupler Assembly	
09	MH4SUJ	Upper Jaw (Carbide Style)	
09	MH4SUJ-K	Upper Jaw (Knife Edge Style) No Longer Available	
10	MH4SLJ	Lower Jaw (Knurl Style)	
10	MH4SLJ-C	Lower Jaw (Carbide Style)	
10	MH4SLJ-H	Heavy Duty Lower Jaw	
11	MH4SCP-27	Eccentric Pin Kit	
14	MH4SCP-29	Air Cylinder	
19	MH4SCP-19W	No Longer Sold	
20	MH4SCP-13	Adjustment Assembly No Longer Available	
23	MH4SPA	Clamp Body	
24	MH4SCP-46	Stop Bar No Longer Available	
25	MHSFS0516	Screw, FH Pkg of 10	
27	MH4SCP-08W	Clamp Bar No Longer Available	
29	MH4SCP-20	Pivot Stop Plate No Longer Available	
31	MH4SCP-17W	No Longer Sold	
32	MH4SCP-22W	No Longer Sold	
35	MH4SCP-35W	Pivot Pin	
36	MH4SCP-47	Level Bar No Longer Available	

DIMOCO MANUFACTURING COMPANY INC
To place an order call toll-free 800.524.3020 or fax 816.524.3454 or www.Dimoco.net

MH6SC0 – COMPONENT PARTS

FC1250S, FC1000S



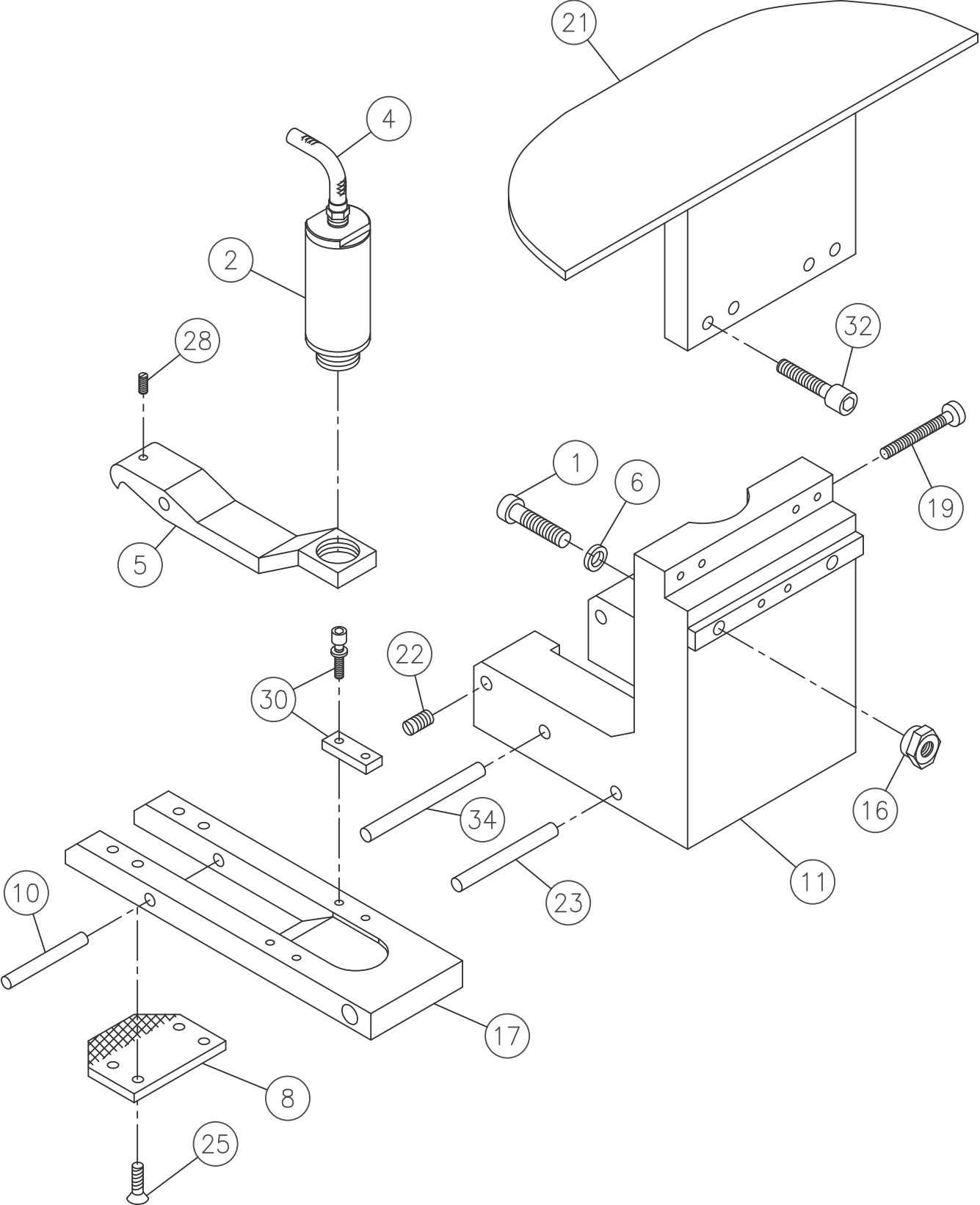
MH6SCO
Component Parts
FC1250S — FC1000S — FC1000H

Dwg No.	DMC Part No.	Description	Price
00	MH6SCO	Complete Assembly	
02	MH6SCP-29	Air Cylinder	
04	MH4BCP-38	Air Hose Assembly	
08	MH6SCP-18	Clamp Lever	
09	MHSCS0870	Screw, Pkg of 10	
10	MH6MCP-54W	Washer	
34	MHLW08	Lock Washer, Pkg of 10/ for use on dwg 33	
10	MHSCS0824	Screw, CS Pkg of 10	
11	MH3MCP-04	Spring, Height Adjustment	
12	MH6SCP-01	Block	
14	MH6SUJ	Upper Jaw/Carbide Style	
16	MH6SCP-46	Body (Upper Unit)	
16	MH6SCP-47	Body (Lower Unit)	
16	MH6SPA	Clamp Body (Modular)	
17	MHDOW0896	Pin (one only)	
19	MH6SCP-19	Mounting Plate	
20	MH6SCP-08	Wedge Plate	
21	MHSCS05X12	Screw, AH Pkg of 10	
22	MHSSS0808	Screw, Pkg of 10	
25	MHSFS0516	Screw, FH Pkg of 10	
27	MH5ACP-27	Dowel	
29	MH3MCP-04	Dove-Tail Spring	
32	MHSCS0824	Screw, Pkg of 10	
33	MH6SCP-28	Screw, Pkg of 10	
45	MH6SLJ	Lower Jaw	
48	MH6SCP-GB	Gage Block	
53	MH5ACP-04	Spring	
54	MH6SCP-34	Bearing Assembly (one required per side)	
55	MH6SCP-28S	Spacer	
56	MH5ACP-29PS	Spring	
58	MHSCS0512	Screw, (Pkg of 10)	
59	MHSSS0808	Screw, (Pkg of 10)	

DIMOCO MANUFACTURING COMPANY INC

To place an order call toll-free 800.524.3020 or fax 816.524.3454 or www.Dimoco.net

MH2DC0-R – COMPONENT PARTS
1000R, 1000XP



MH2DCO-R
Component Parts
1000R — 1000XP — 1250R

Dwg No.	DMC Part No.	Description	Price
00	MH2DCO-R	Complete Assembly	
00	MH2DJA-M	Jaw Pack (Incl. #05,08,10,17)	
01	MHSCS1248	Screw, AH Pkg of 10	
02	MH2DCP-02	Air Cylinder	
04	MH4BCP-38	Air Hose Assembly	
05	MH2DUJ	Upper Jaw	
06	MHWSH13	Washer Steel Hardened,1 Only	
08	MH2DLJ	Clamp Plate	
10	MH2DCP-10	Dowel Pin	
11	MH2DCP-11R	Holder Mount	
16	MH3DCP-12	T-Nut	
17	MH2DPA-M	Clamp Body(early & DMC comp units use MH2DPA)	
19	MH2DSS	Screw Set/Metric-English	
21	MH2DCP-21R	Cam No Longer Available	
23	MHDOW1256	Dowel Pin,2 Required	
25	MHSFS0512	Screw, FH Pkg of 10	
28	MHSSS0606F	Screw, SS Pkg of 10	
30	MH2DCP-36	Screw/Spacer (one side) 2 Sets Required	
34	MH2DCP-34	Pin/Set	

DIMOCO MANUFACTURING COMPANY INC

To place an order call toll-free 800.524.3020 or fax 816.524.3454 or www.Dimoco.net